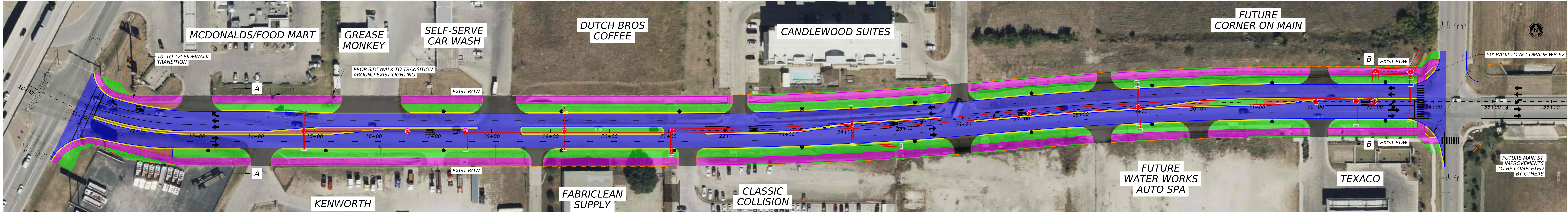
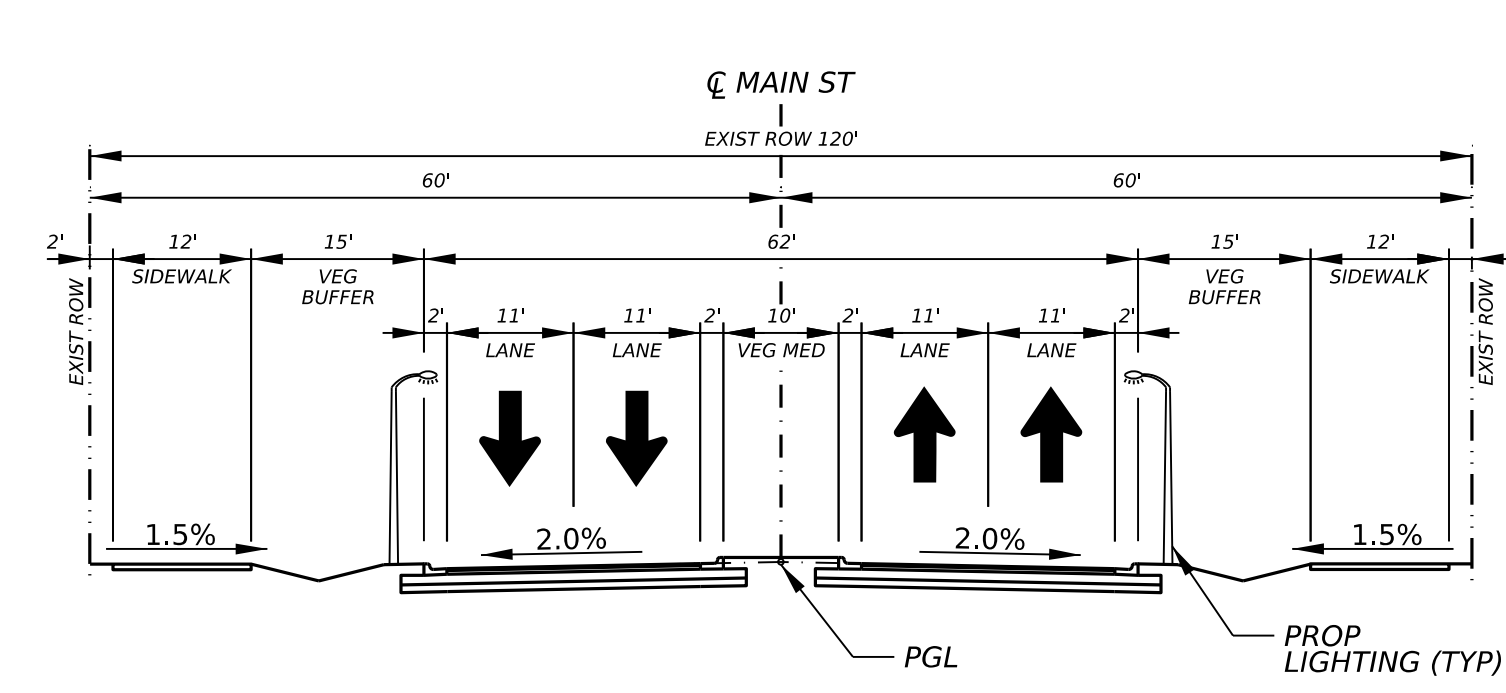
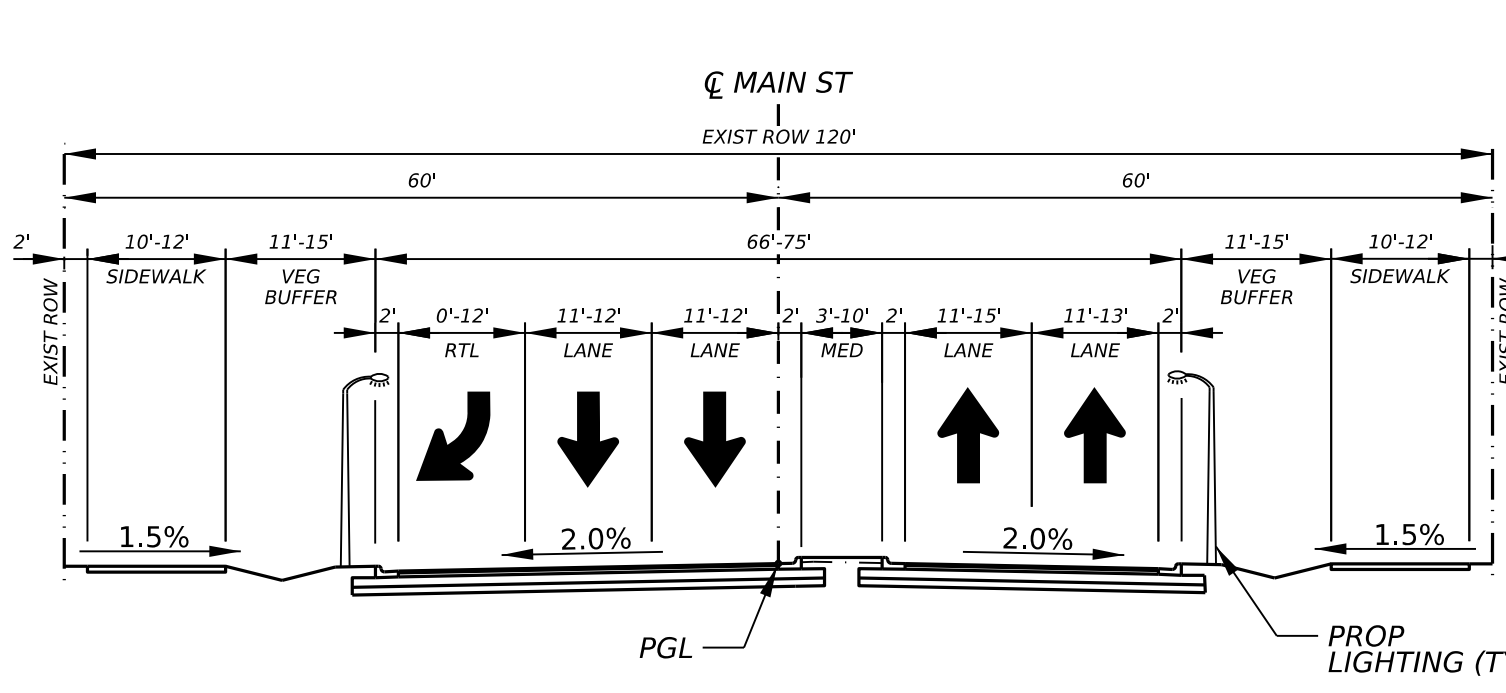
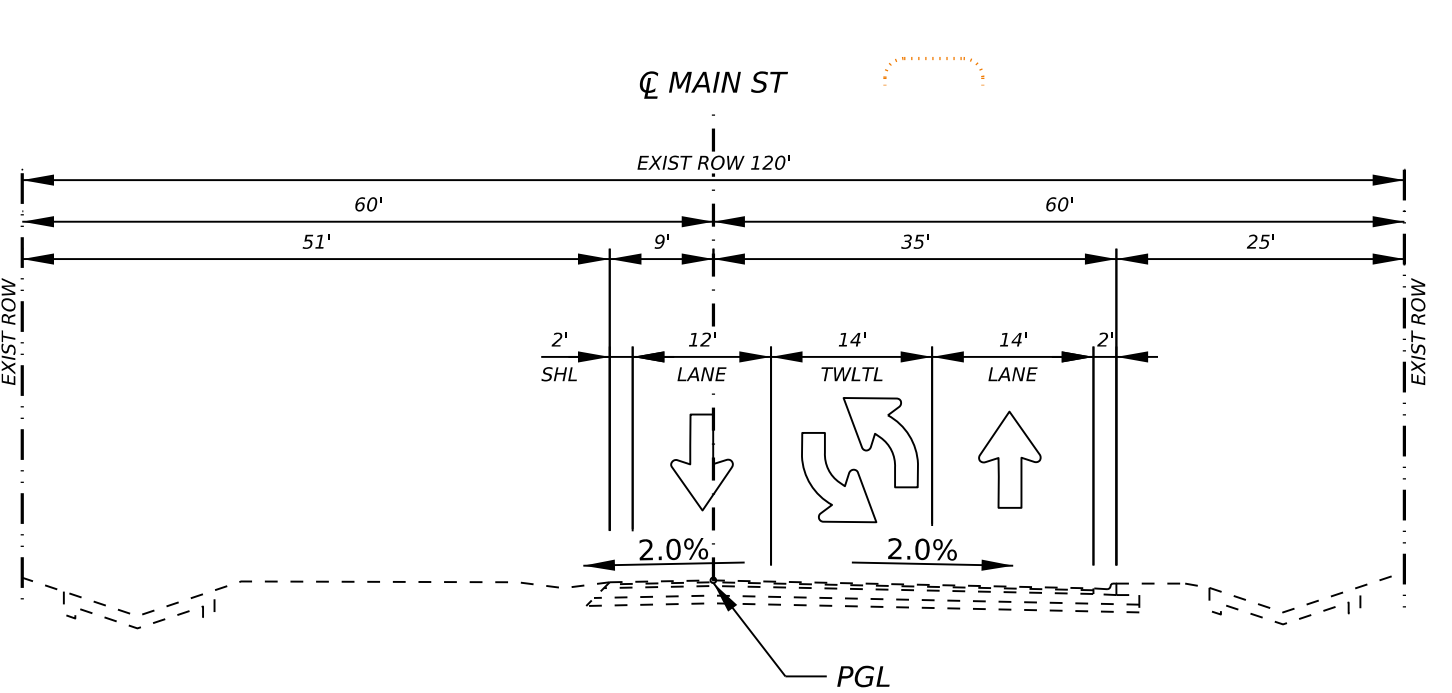
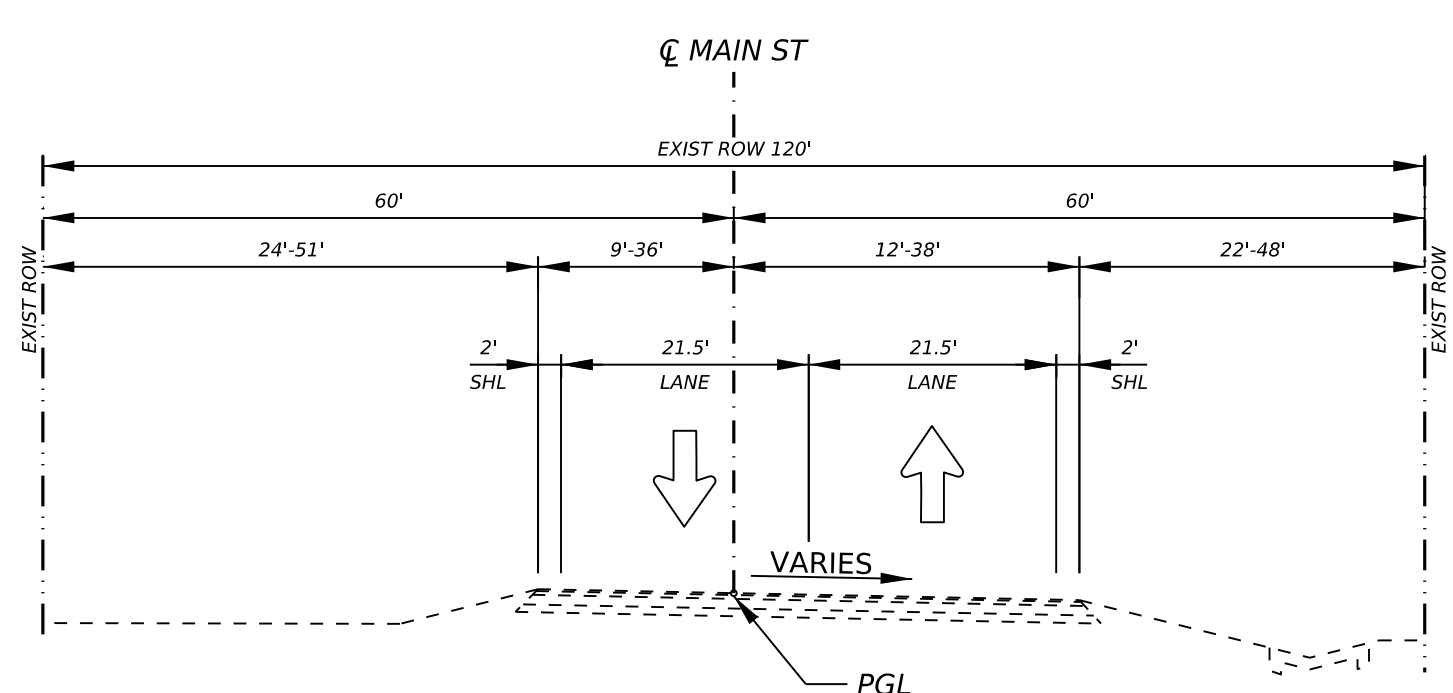


- LEGEND**
- PROPOSED PAVEMENT
  - PROPOSED CURB & GUTTER
  - PROPOSED SIDEWALK
  - PROPOSED DRIVEWAY
  - PROPOSED MEDIAN
  - PROPOSED GRASSY AREA
  - PROPOSED ILLUMINATION
  - EXIST ROW
  - PROPOSED TRAFFIC
  - EXIST TRAFFIC
- GENERAL NOTES:**  
1. DRIVEWAY WIDTHS TO BE EVALUATED AT 60% DESIGN STAGE.

- LEGEND**
- PROPOSED PAVEMENT
  - PROPOSED CURB & GUTTER
  - PROPOSED SIDEWALK
  - PROPOSED DRIVEWAY
  - PROPOSED MEDIAN
  - PROPOSED GRASSY AREA
  - PROPOSED ILLUMINATION
  - EXIST ROW
  - PROPOSED TRAFFIC
  - EXIST TRAFFIC
- GENERAL NOTES:**  
1. DRIVEWAY WIDTHS TO BE EVALUATED AT 60% DESIGN STAGE.



**PRELIMINARY  
SUBJECT TO CHANGE**