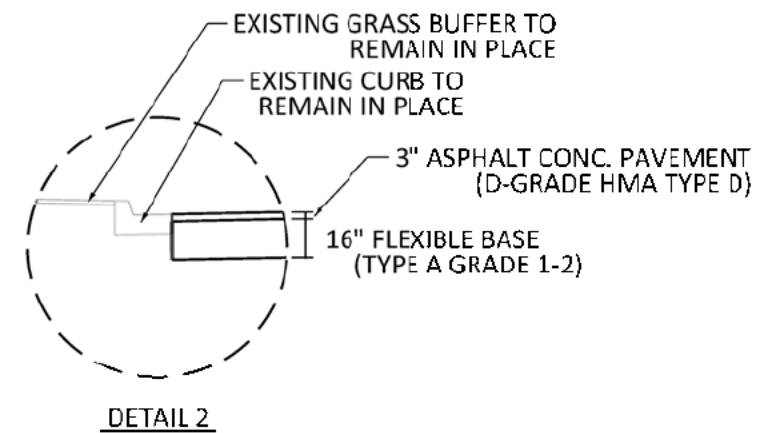
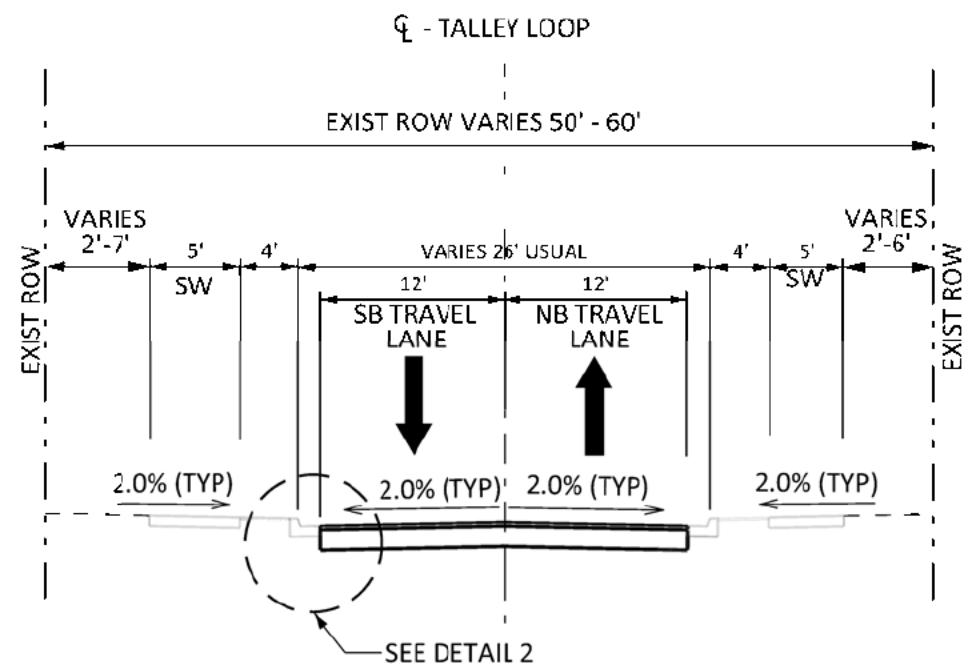


**EXISTING TYPICAL SECTION**



**PROPOSED TYPICAL SECTION**

**PRELIMINARY DESIGN  
SUBJECT TO CHANGE**

NOT TO SCALE

REV. NO.	BY	DATE	REVISION DESCRIPTION

THESE DOCUMENTS ARE FOR INTERIM REVIEW AND NOT FOR CONSTRUCTION, BIDDING OR PERMIT PURPOSES.

RESPONSIBLE ENGINEER:  
AUSTIN MESSERLI, PE  
TBPE NO. 135510

12/15/2023

K FRIESE & ASSOCIATES, INC.  
1120 S. CAPITAL OF TEXAS HWY., II-100, AUSTIN, TX 78746

CITY OF BUDA  
TALLEY LOOP

PROJECT TYPICAL SECTIONS



SHEET 1 OF 1	
SCALE	SSCALES
DATE	12/15/2023
SHEET NUMBER	1 OF 1